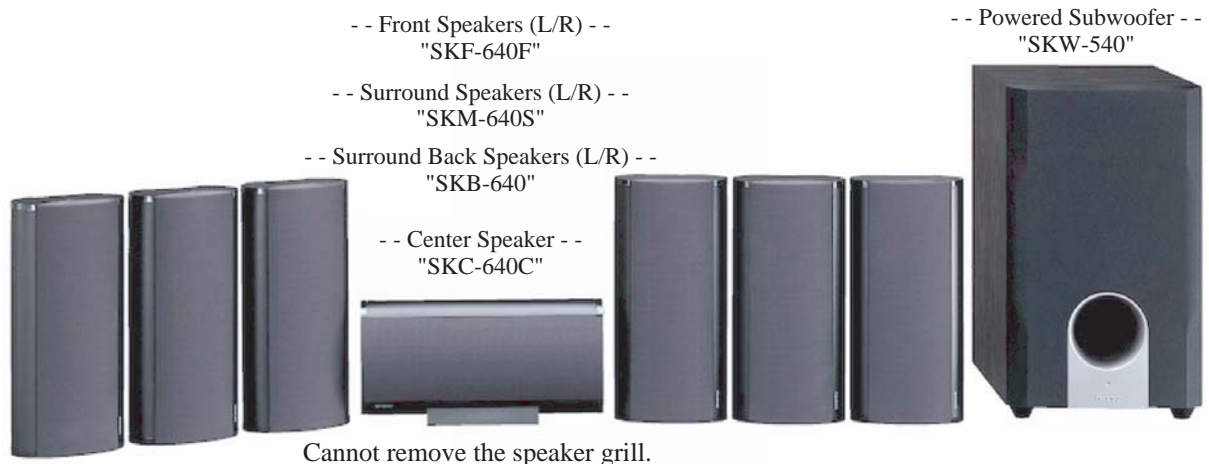


# ONKYO SERVICE MANUAL


## 7.1-CH HOME THEATER SPEAKER PACKAGE MODEL HTP-740(B)



### Black model

B MDD	120V AC, 60Hz
-------	---------------

### SAFETY-RELATED COMPONENT WARNING!!

COMPONENTS IDENTIFIED BY MARK  ON THE SCHEMATIC DIAGRAM AND IN THE PARTS LIST ARE CRITICAL FOR RISK OF FIRE AND ELECTRIC SHOCK. REPLACE THESE COMPONENTS WITH ONKYO PARTS WHOSE PART NUMBERS APPEAR AS SHOWN IN THIS MANUAL.

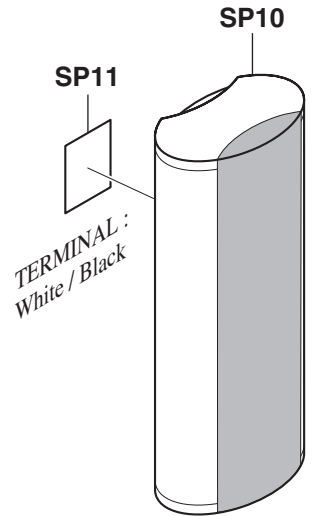
MAKE LEAKAGE-CURRENT OR RESISTANCE MEASUREMENTS TO DETERMINE THAT EXPOSED PARTS ARE ACCEPTABLY INSULATED FROM THE SUPPLY CIRCUIT BEFORE RETURNING THE APPLIANCE TO THE CUSTOMER.

**EXPLODED VIEW**

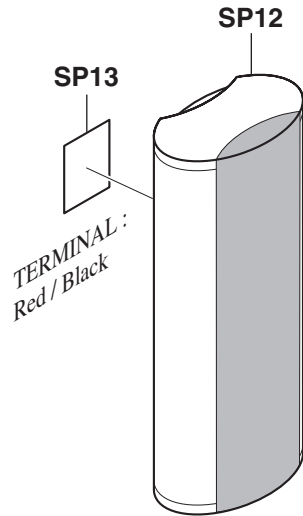
**SKF-640F / SKC-640C / SKM-640S / SKB-640**

<Note>

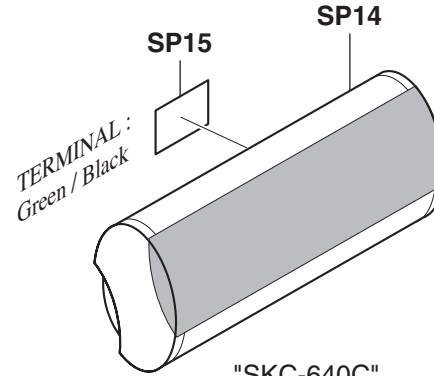
SKW-540 ----> Refer to service manual of "SKS-HT540" (Ref. No. 3942-R1)



"SKF-640F <L>"



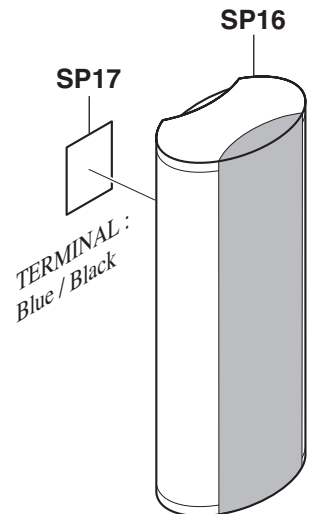
"SKF-640F <R>"



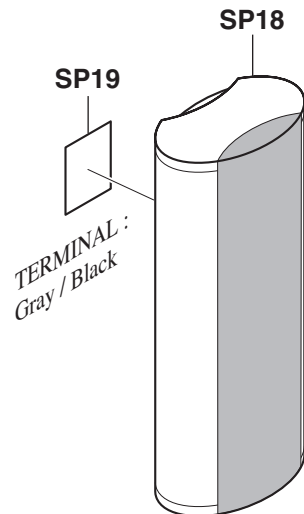
"SKC-640C"

<Note>

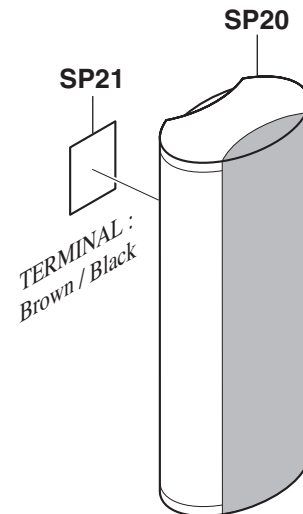
Cannot remove the speaker grill.



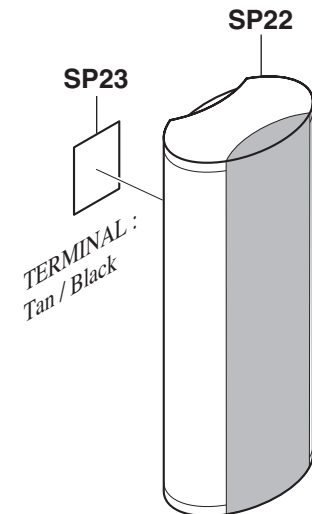
"SKM-640S <L>"



"SKM-640S <R>"



"SKB-640 <L>"



"SKB-640 <R>"

HTP-740

**EXPLODED VIEW PARTS LIST**

	REF. NO.	PART NAME	DESCRIPTION	Q'TY	PART NO. (SN)	REMARKS
EXPLODED	<b>SKF-640F (B) &lt;L&gt; / &lt;R&gt; : FRONT SPEAKERS</b>					
EXPLODED	SP10	COMPLETE UNIT	"SKF-640F (B) <L>"	1	000-SKF640FLBSER	
EXPLODED	SP11	SPEC LABEL (L)	---	1	600-P640FL-00	
EXPLODED	SP12	COMPLETE UNIT	"SKF-640F (B) <R>"	1	000-SKF640FRBSER	
EXPLODED	SP13	SPEC LABEL (R)	---	1	600-P640FR-00	
EXPLODED	<b>SKC-640C (B) : CENTER SPEAKER</b>					
EXPLODED	SP14	COMPLETE UNIT	"SKC-640C (B)"	1	000-SKC640CBSER	
EXPLODED	SP15	SPEC LABEL	---	1	600-P6400C-00	
EXPLODED	<b>SKM-640S (B) &lt;L&gt; / &lt;R&gt; : SURROUND SPEAKERS</b>					
EXPLODED	SP16	COMPLETE UNIT	"SKM-640S (B) <L>"	1	000-SKM640SLBSER	
EXPLODED	SP17	SPEC LABEL (L)	---	1	600-P640SL-00	
EXPLODED	SP18	COMPLETE UNIT	"SKM-640S (B) <R>"	1	000-SKM640SRBSER	
EXPLODED	SP19	SPEC LABEL (R)	---	1	600-P640SR-00	
EXPLODED	<b>SKB-640 (B) &lt;L&gt; / &lt;R&gt; : SURROUND BACK SPEAKERS</b>					
EXPLODED	SP20	COMPLETE UNIT	"SKB-640 (B) <L>"	1	000-SKB640SBLBSER	
EXPLODED	SP21	SPEC LABEL (L)	---	1	600-P640BL-00	
EXPLODED	SP22	COMPLETE UNIT	"SKB-640 (B) <R>"	1	000-SKB640SBRBSER	
EXPLODED	SP23	SPEC LABEL (R)	---	1	600-P640BR-00	
EXPLODED	<b>&lt;Note&gt;</b>					
EXPLODED	<b>SKW-540 ---&gt; Refer to service manual of "SKS-HT540" (Ref. No. 3942-R1).</b>					

**ONKYO CORPORATION**

Sales & Product Planning Div. : 2-1, Nisshin-cho, Neyagawa-shi, OSAKA 572-8540, JAPAN  
Tel: 072-831-8023 Fax: 072-831-8124

**ONKYO U.S.A. CORPORATION**

18 Park Way, Upper Saddle River, N.J. 07458, U.S.A.  
Tel: 201-785-2600 Fax: 201-785-2650 <http://www.us.onkyo.com/>

**ONKYO EUROPE ELECTRONICS GmbH**

Liegnitzerstrasse 6, 82194 Groebenzell, GERMANY  
Tel: +49-8142-4401-0 Fax: +49-8142-4401-555 <http://www.eu.onkyo.com/>

**ONKYO EUROPE UK Office**

Suite 1, Gregories Court, Gregories Road, Beaconsfield, Buckinghamshire, HP9 1HQ  
UNITED KINGDOM Tel: +44-(0)1494-681515 Fax: +44(0)-1494-680452

**ONKYO CHINA LIMITED**

Units 2102-2107, Metroplaza Tower I, 223 Hing Fong Road, Kwai Chung,  
N.T., HONG KONG Tel: 852-2429-3118 Fax: 852-2428-9039  
<http://www.ch.onkyo.com/>

